



F17

Access Control
Biometric Fingerprint Device



Features

Standard Features

- IP65 Rated
- Built-in Serial and Ethernet ports sensor
- Built-in Wiegand input/output ports
- Less than 1 second user recognition
- Stores 1500 templates and 30,000 transactions
- Built-in USB port allows for manual data transfer
- Reads Fingerprint and/or Pin's and/or RFID card

Enhanced Features

- Audio - Visual indications for valid / invalid entries
- Supports 50 time zones, 5 groups and 10 combinations
- Tamper switch
- Integrated 125kHz RFID proximity reader

Software

- ZK Access Control Management 3.5
- ZKTime.net (T&A)

Related Products



ZK4500



F12-Slave



RFID Cards



Exit Button



Maglocks

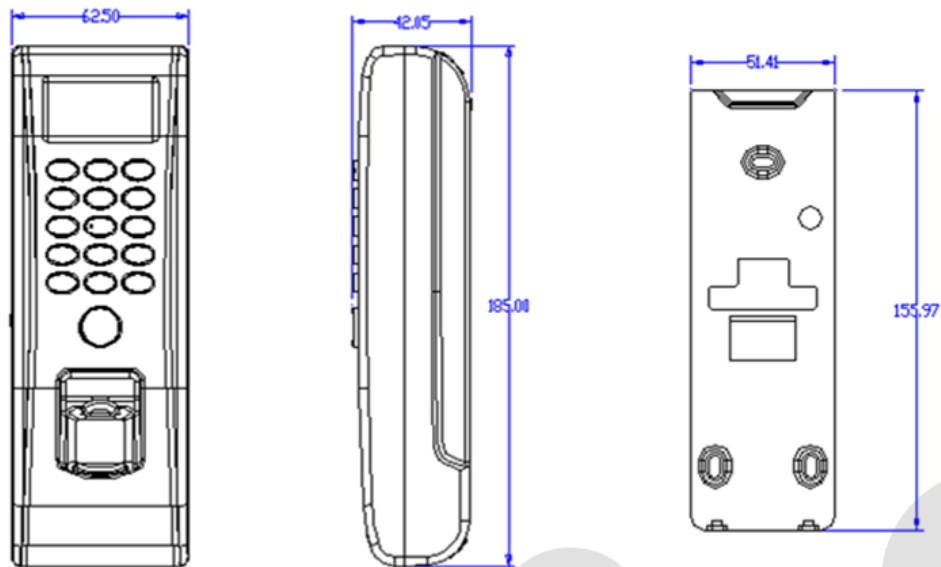


Mini UPS

Specifications

- Fingerprint Capacity: 1,500 templates
- Transaction Capacity: 30,000 transactions
- RFID Card Capacity: 10,000 cards
- Sensor: ZK Optical Sensor
- Algorithm Version: ZK Finger v10.0
- Built-in Card Reader: 125kHz RFID proximity reader
- Communication: RS485, TCP/IP, USB-host
- Wiegand Ports: Input and Output any bits
- Access Control interfaces: 3rd party electric lock, door sensor, exit button, door alarm
- Access Control functions: 50 time zones, 5 access control groups, 10 combinations
- Power Supply: 12V DC 3A
- Operating Temperature: 0 °C - 60 °C
- Operating Humidity: 10% - 90%
- Dimension: 62 X 185 X 41.5mm

Dimensions



Configuration

